



Key Features

- Up to 4,900 litres per day of on-demand purified water
- Can be supplied without fittings; perfect for OEM's or direct feed to an atmospheric storage tank
- Premium PRF-750-SYSTEM delivers significant improvement to performance for a nominal investment

Typical Applications

- Spot-free finish
- Window wash
- Aquatics
- Drinking water

Specification

Max. Operating Temperature
38°C

Max. Operating Pressure
5.5 bar at 21°C

Max. Feed TDS
2,000 mg/L

Port Sizes

Feed
½" Push Fit (Natural Tubing)

Concentrate
¾" Push Fit (Black Tubing)

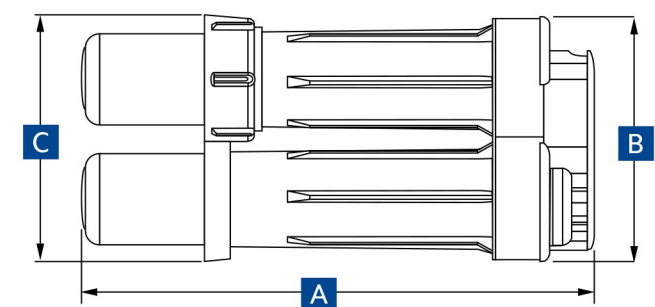
Permeate
¾" Push Fit (Blue Tubing)

System performances with each membrane at conditions of 400ppm feed at:

	10°C at 2.8 bar		25°C at 5.5 bar	
	TLC-350	PRF-750-RO	TLC-350	PRF-750-RO
Flow Rate (lpm)	1	1.7	2.5	3.4
Rejection Rate (%)	94	94	96	96
Recovery Rate (%)	20	30	30	40

Dimensions & Packaging

PRF-RO System Dimensions (mm)		
A	B	C
507	243	244



Product Codes



PRF-RO



PRF-RONOFITTINGS



PRF-ROMEMBRANESTLC-350
PRF-750-RO



PRF-ROCARBONPRE-FILTER
PRF-ROCARBONPOST-FILTER

PRF-RO System

On-demand Reverse Osmosis System, up to 3.4 lpm

The PRF-RO system is designed for on demand RO water operating off mains pressure. Meeting the production requirements of light commercial applications such as window washing and aquatics, the new specially designed SPECTRUM PRF-750-RO membrane significantly

improves permeate flow and system recovery. All componentry including a high capacity Fibredyne carbon pre-filter and two membranes, locate into the unique manifold with three colour coded push-fit connections for simple installation.

Code	Description	Box Quantity	Box Weight (kg)
PRF-RO	Pentair PRF-RO System	1	11
PRF-750-SYSTEM	Pentair PRF-RO System complete with SPECTRUM PRF-750-RO Membrane	1	11
PRF-RONOFITTINGS	Pentair PRF-RO System without tap/drain/tubing	1	10
PRF-750-RO	SPECTRUM Thin Film RO Membrane	8	16
PRF-ROMEMBRANESTLC-350	Pentair PRF-RO/Merlin/Flexi Filter Membrane (TLC-350)	8	16
PRF-ROCARBONPRE-FILTER	Pentair PRF-RO/Merlin/Flexi Filter Carbon Pre-Filter	20	20
PRF-ROSEDIMENTPRE-FILTER	Pentair PRF-RO/Merlin/Flexi Filter 10µm Sediment Pre-Filter	15	15
PRF-ROCARBONPOST-FILTER	Pentair PRF-RO/Merlin/Flexi Filter Carbon Post-Filter	12	6
PRF-ROFEEDTEE	Pentair PRF-RO/Merlin/Flexi Filter Feed Tee 15mm x 15mm x ½" and stop valve	6	3
PRF-ROGAUGE	Pentair PRF-RO/Merlin Feed Pressure Gauge	6	1
PRF-ROBOWLONLY	Pentair PRF-RO/Merlin Bowl	6	6
PRF-ROSUMPO-ring	Pentair PRF-RO/Merlin System Sump O-ring	12	1.5